

Crane forks with adjustable forks

Product information



For handling of standard pallets from the long side. Thanks to the spring-loaded lifting eye, the pallet fork is self-balancing, which means that the forks are always horizontal, regardless of whether the pallet fork is empty or loaded.

... [Read more](#)

Material: Beam and plate of high-strength structural steel

Marking: According to standard, CE-marked

Finish: Painted, yellow

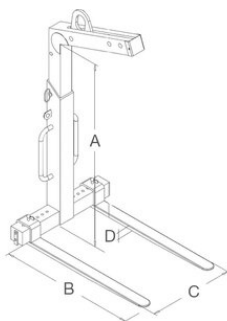
Standard: EN 13155

Note: Min. load at least 20% of the max. load!

Safety factor: 3:1

Crane forks with adjustable forks

Blueprint

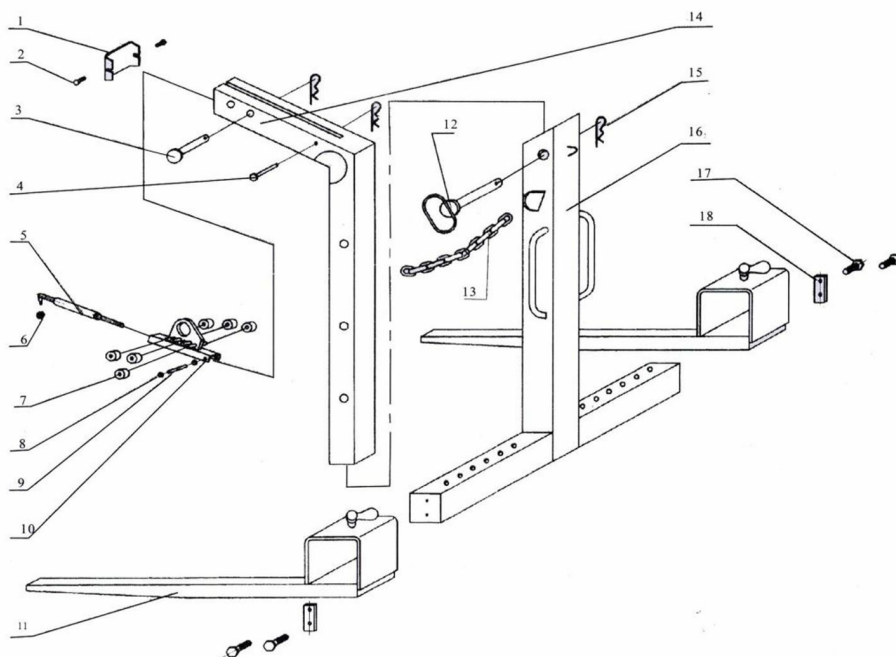


Technical data

Part code	WLL ton	A mm	B mm	C mm	D mm	Weight kg
NOH1500S	1.5	1300-2000	1,000	350-900	40	142
NOH3000S	3	1300-2000	1,000	450-900	50	260

Crane forks with adjustable forks

SPARE PARTS



Spare part (product code)	Description	Suitable for crane fork (product code)
NOH1500SKAJ	Gas spring for crane fork Part no. 5	NOH1500SKS
NOH3000SKAJ	Gas spring for crane fork Part no. 5	NOH3000SKS

Also other spare parts available with a delivery time, ask our sales for more information