



## Electric wire hoists 230 V / 50 Hz

### Product information

Lightweight, powerful, and fast electric wire hoist with upper and lower limit switches. The lower hook is equipped with a swivel. The hoist is equipped with a double brake system. The control cable is 7 m and the power cable 5 m long. Also available with a longer control cable.

#### Optional wireless remote control:

- range 50 m (unobstructed visibility)
- functions: lift, lower and emergency stop
- IP65
- operating temperature -10 - (+)70°C
- size 190 x 70 x 50 mm
- 4 x AA batteries
- Product code: **VAINOSHKAUKO**

**Features:** IP54

**Material:** Steel

**Marking:** CE-marked

**Finish:** Painted, blue

Part code	WLL ton	Lifting height m	Rope Ø mm	Motor kW	Lifting speed m/min.	Duty rating % ED	Weight kg
VAINOSH230	0.23	30	5	1.3	19	35	21.5
VAINOSH300	0.3	60	5	1.3	12	35	28
VAINOSH500	0.5	30	7	1.8	12	35	28

## Technical data

### DIMENSIONS

Product	Control cable m	Electric cable m	Body width mm	Body depth mm	Body + chain min height mm
VAINOSH230	7	5	240	180	660
VAINOSH300	7	5	240	210	670
VAINOSH500	7	5	240		

### SPARE PART STEEL WIRE ROPES

Wire rope dim.	Length m	End fitting	Wire rope product code	Suitable for hoist	
5 mm	30	Thimble + preventer	VAINOSH230VA	VAINOSH230	<input type="checkbox"/>
5 mm	60	Thimble + preventer	VAINOSH300VA	VAINOSH300	<input type="checkbox"/>
7 mm	30	Thimble + preventer	VAINOSH500VA	VAINOSH500	<input type="checkbox"/>

### SPARE PARTS

Spare part (product code)	Description	Suitable for hoist (product code/-s)	
KAPULA1	Pendant control for VAINOSH230/-300/-500	VAINOSH230, VAINOSH300, VAINOSH500	<input type="checkbox"/>
VAINOSHKJOHT	Control cable 7 m, assembly   Incl. cable and pendant control   Plug in the other end	VAINOSH230, VAINOSH300, VAINOSH500	<input type="checkbox"/>
VAINOSHKAAP	Control cable extension, length 10 m   Plugs in both ends	VAINOSH230, VAINOSH300, VAINOSH500	<input type="checkbox"/>
VAINOSHVJOHT	Power cable 5 m   Plugs in both ends, different type	VAINOSH230, VAINOSH300, VAINOSH500	<input type="checkbox"/>
VAINOSH230AKO	Bottom hook set   Incl. fixing pins	VAINOSH230	<input type="checkbox"/>

VAINOSH230YKO	Top hook set	VAINOSH230	□
VAINOSH300AKO	Bottom hook set   Incl. fixing pins	VAINOSH300, VAINOSH500	□
VAINOSH300YKO	Top hook set	VAINOSH300, VAINOSH500	□
VAINOSHKAUKO	Cordless remote control	VAINOSH230, VAINOSH300, VAINOSH500	□
VAINOSH24	Bridge type regulator   Part no. 24	VAINOSH230, VAINOSH300, VAINOSH500	

Also other spare parts available with a delivery time, ask our sales for more information

## VAINOSH230

230V Electric wire hoists VAINOSH 230 components blueprint



---

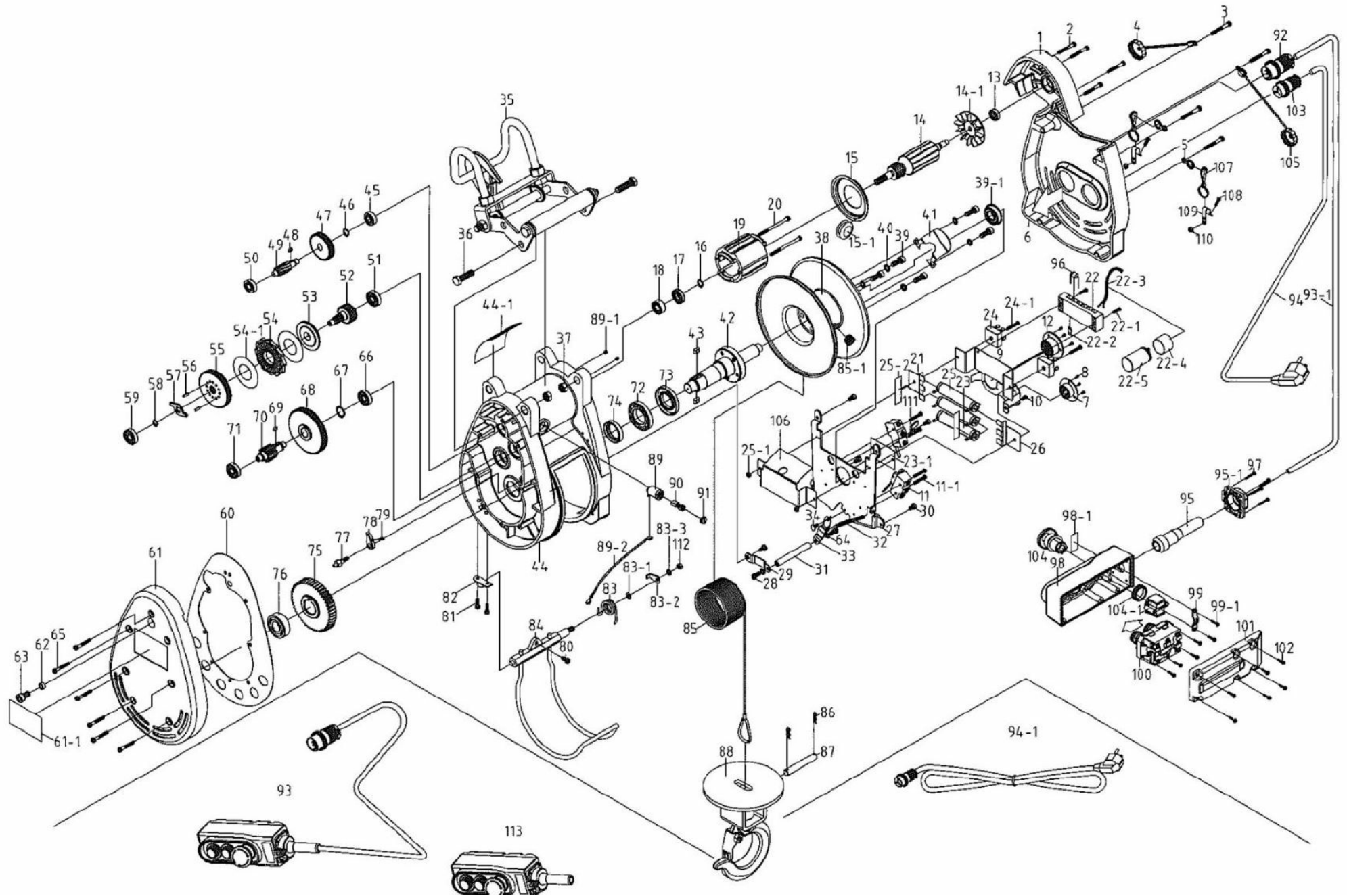
## VAINOSH300

230V Electric wire hoists VAINOSH 300 components blueprint



---

# VAINOSH500



## Blueprint

